



POLYBOND Anti-Vibration Mountings

Product Catalog and Application Guide

Prepared by	AUREX VENTURES
Positioning	Authorized distributor of Polybond anti-vibration mountings

A presentation-ready guide for selecting rubber mountings, isolators, and machine support solutions for industrial vibration control.

Where These Mountings Fit

Polybond anti-vibration mountings help reduce vibration transmission, control structure-borne noise, and protect rotating or reciprocating equipment. Aurex Ventures supports customers with product identification and selection guidance based on equipment weight, operating speed, mounting layout, environment, and required isolation level.

Quick Application Guide

Application	Typical Products	Selection Driver	Useful Tags
DG sets and generators	Cushyfoot, PGS, Pam, P Mounts	Load per mount, rpm, fail-safe need	DG Sets, Gensets
Pumps and compressors	Combi, Core, Dual Compression, P Mounts	Weight, vibration frequency, base rigidity	Pumps, Compressors
Fans, blowers, AHUs	Cushyfoot, Double U Shear, Dual Compression	Low-frequency vibration and airflow noise	Fans, Blowers, HVAC
Machine tools	Machine Mounts Type PSN, Combi, O Mounts	Leveling, relocation, shock absorption	Machine Tools, CNC
Sensitive or heavy equipment	Sandwich, Double U Shear, Core	Compression/shear loading and stability	Transformers, Hoppers

Selection note: Final mount selection should be verified against static load per mounting point, operating speed, required deflection, environment, and available installation space.

01. Combi Mounts

Rubber Anti-Vibration Mountings



Combi mounts are rubber-metal bonded vibration isolators designed to work in both compression and shear. Their compact construction helps reduce structure-borne vibration while keeping installation simple for general machinery layouts.

Category	Rubber Mountings / Multi-Axis Isolators
Load Class	Light to medium industrial equipment
Tags	Compressors, Pumps, Generators, Industrial Fans, Machine Tools

Key Features

- Rubber-metal bonded construction for durable service
- Dual-mode isolation in compression and shear
- Compact footprint for limited installation space
- Suitable for multiple load ratings and equipment sizes

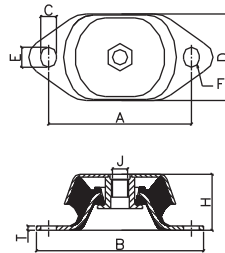
Typical Applications

- Air compressors and screw compressors
- Centrifugal, gear, and lobe pumps
- Small generators and motor-generator sets
- Industrial fans, blowers, machine tools, and textile machinery

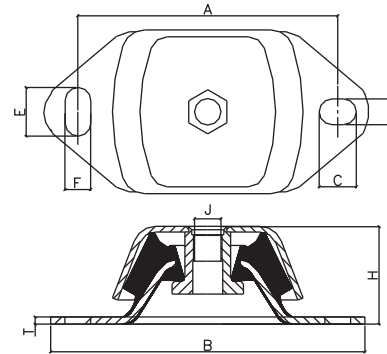
COMBI MOUNTS - PC



Moulding Innovation into Global Bonds



PC - 100

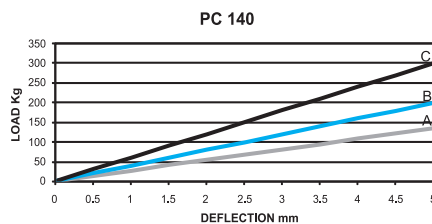
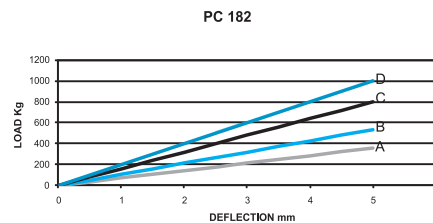
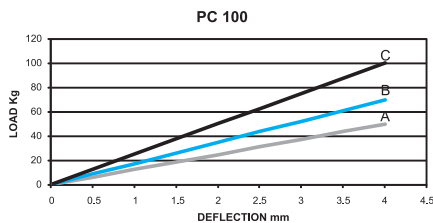


PC - 140 / PC - 182

PART NO	DIMENSIONS (mm)										
	A	B	C	D	E	F	G	H	I	J	T
PC - 100	100	120	11	60	14	-	5.5	40	-	M12	3
PC - 140	140	183	20	76	30	13	6.5	50	13	M16	4
PC - 182	182	230	26	112	34	18	9.0	70	18	M20	5

PART NO.		LOAD (Kg)	DEFLECTION (mm)
PC - 100	A	50	4
PC - 100	B	70	4
PC - 100	C	100	4
PC - 140	A	135	5
PC - 140	B	200	5
PC - 140	C	300	5
PC - 182	A	355	5
PC - 182	B	530	5
PC - 182	C	800	5
PC - 182	D	1000	5

POLYBOND COMBIMOUNTS PC are suitable for a wide variety of equipment. The COMBIMOUNT PC, is low in profile, compact in size and Ideal for mobile application due to added "Fail safe" feature. These mounts can be supplied with a height adjustment feature if required.



02. Core Mounts

Rubber Vibration Isolation Mountings



Core mounts are cylindrical rubber-metal bonded isolators used where reliable vibration control, compact size, and straightforward mounting are required. They are commonly selected for compressors, pumps, fans, engines, and industrial equipment.

Category	Rubber Mountings / Core Isolators
Load Class	Light to medium machinery and frame-mounted equipment
Tags	Radiators, Engines, Motors, Generators, Earth Moving

Key Features

- Cylindrical rubber core bonded to steel plates or studs
- Compression and shear vibration isolation
- Multiple mounting configurations including male/female studs
- Corrosion-protected metal components for industrial environments

Typical Applications

- Radiator mountings and engine mountings
- Electric motors and motor-driven machinery
- Small generators and power equipment
- Frame-mounted equipment and earth moving equipment

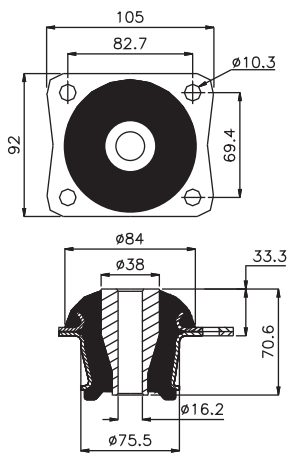
CORE MOUNTS



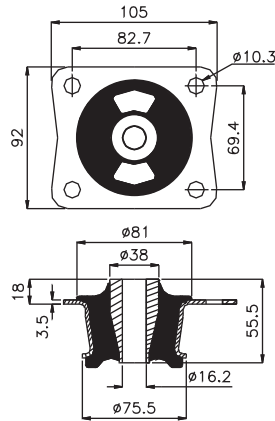
Moulding Innovation into Global Bonds



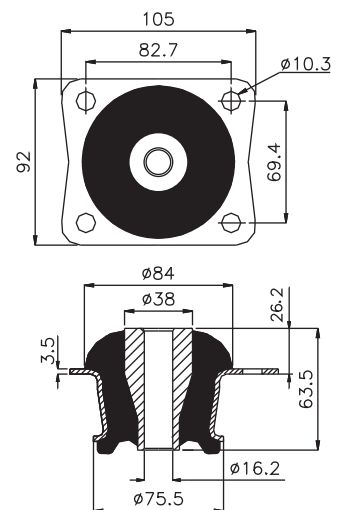
P-193



P-772

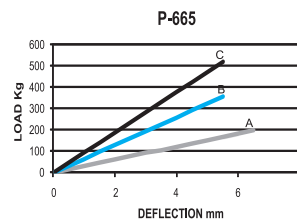
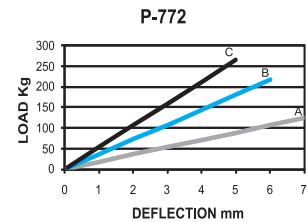
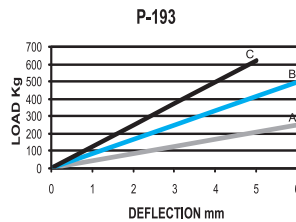


P-665



These core mounts when used with the right washers, provide a "fail-safe" feature, essential for many severe applications. Due to the high deflections possible these mounts provide good isolation and are extremely popular in mobile applications.

PART NO.		LOAD (Kg)	DEFLECTION (mm)
P - 193	A	250	6.0
P - 193	B	500	6.0
P - 193	C	600	4.8
P - 665	A	200	6.5
P - 665	B	350	5.4
P - 665	C	500	5.3
P - 772	A	120	6.8
P - 772	B	200	5.5
P - 772	C	250	4.7



03. Cushyfoot Mountings

Heavy Duty Vibration Isolators



CUSHYFOOT MOUNTING

Cushyfoot mountings are heavy-duty rubber isolators for generator sets, pumps, compressors, chillers, cooling towers, and industrial equipment. The fail-safe construction helps protect equipment and civil structures in demanding installations.

Category	Heavy Duty Rubber Mountings
Load Class	Moderate to heavy rotating equipment
Tags	DG Sets, Chillers, AHU, Pumps, Compressors, HVAC

Key Features

- Heavy-duty rubber-in-shear construction
- Fail-safe design with robust metal housing
- High load capacity for larger equipment
- Suitable for indoor, outdoor, HVAC, and MEP installations

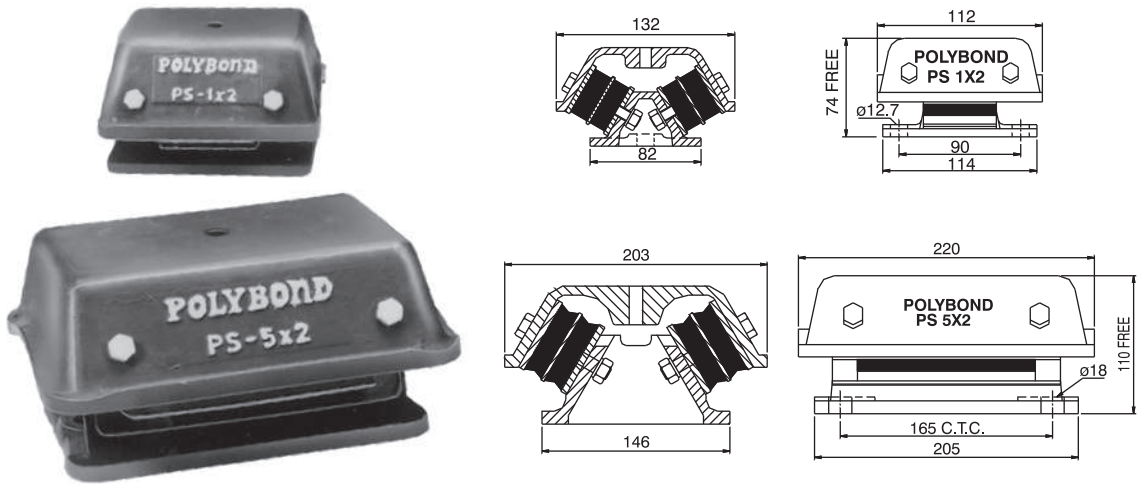
Typical Applications

- Diesel generator sets and motor-generator packages
- Large compressors and refrigeration compressors
- Pump sets, chillers, AHUs, and cooling towers
- Marine generators and process machinery

COMBI MOUNT - PS

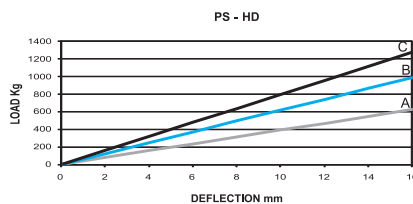
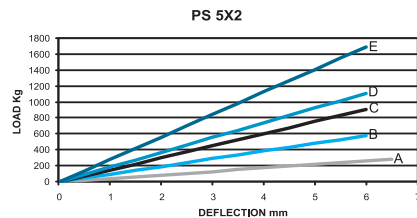
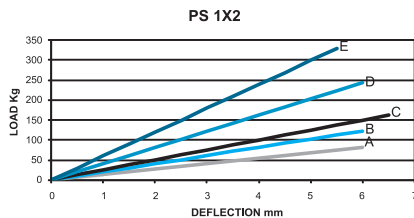


Moulding Innovation into Global Bonds



PART NO.	COLOUR CODE	LOAD (Kg)	DEFLECTION (mm)	TOP FIXING HOLE	
				PLAIN	TAPED
PS - 1 x 2A	BLUE	77	5.6	10	M12
PS - 1 x 2B	WHITE	118	5.8	10	M12
PS - 1 x 2C	GREEN	153	6.1	10	M12
PS - 1 x 2D	YELLOW	235	5.8	10	M12
PS - 1 x 2E	RED	317	5.3	10	M12
PS - 5 x 2A	BLUE	272	6.3	13	M16
PS - 5 x 2B	WHITE	544	5.6	13	M16
PS - 5 x 2C	GREEN	850	5.6	13	M16
PS - 5 x 2D	YELLOW	1040	5.6	13	M16
PS - 5 x 2E	RED	1580	5.6	13	M16

Polybond COMBIMOUNTS PS consist of two PS type sandwich mounts housed together in specially designed iron castings for protection against oil and mechanical damage. These are special mountings with natural frequencies down to 5.5 Hz and very good lateral stability. For low disturbing frequencies, high deflection can be achieved by screwing two COMBIMOUNTS PS together along the flange. When they cannot be bolted, these mounts can be located by rubber friction pads.



04. Cylindrical Mounts (O Mounts)

Versatile Rubber Vibration Isolators



Cylindrical mounts, also known as O mounts or bobbin mounts, consist of a rubber element bonded between metal plates or threaded inserts. They are simple, compact, and useful in compression, tension, and shear applications.

Category	Bobbin / O Mounts
Load Class	Light to medium equipment
Tags	Bobbin Mounts, Motors, Pumps, HVAC, Automotive

Key Features

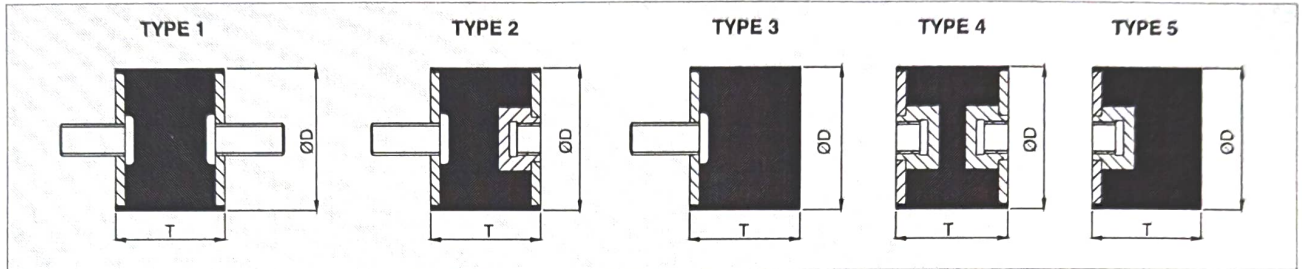
- Simple rubber-metal bonded cylindrical construction
- Available in male-male, male-female, and female-female options
- Works in compression, tension, and shear
- Wide size range and rubber hardness options

Typical Applications

- Small pumps, fans, motors, and workshop equipment
- Automotive and vehicle applications
- Electronic equipment and control panels
- HVAC, laboratory, medical, marine, and transport equipment

POLYBOND

'O' MOUNTS



SIZE/PART No. (DXT) (mm)	MAX COMPRESSIVE LOAD (kg)	STATIC DEFL (mm)	THREAD SIZE	
			BOLT	NUT
PO 13x13	A 4.5	1.0	3/16"BSWx13L	3/16" BSWx4 DEEP
PO 16X13	A 4.3	1.0	1/4"BSWX19L	1/4"BSWX4 DEEP
PO 16X15	A 5.6	1.0	M5X0.8Px12L	M5X0.8Px5 DEEP
PO 19X19	A 18	3.0	1/4"BSWX19L	1/4"BSWX6 DEEP
	B 25	3.0		
	C 35	3.0		
PO 20x20	C 29	4.0	M6x1Px17L	M6x1Px6 DEEP
PO 20x25	A 6.0	3.0	M6x1Px17L	M6x1Px6 DEEP
	B 8.0	3.0		
	C 11	3.0		
	D 18	4.0		
	E 21	3.0		
PO 25x19	A 16	1.5	5/16"BSWx22L	5/16"BSWx6 DEEP
	B 22	1.5		
	C 29	1.5		
	D 42	1.5		
PO 25x20	A 30	3.5	M6x1Px13L	M6x1Px6 DEEP
	B 45	3.5		
	C 60	3.5		
PO 25x22	A 50	3.5	M8x1.25Px20L	M8x1.25Px6 DEEP
PO 25x30	A 37	3.0	M8x1.25Px20L	M8x1.25Px6 DEEP
	B 52	3.0		
	C 73	3.0		
PO 30x22	A 64	3.5	M8x1.25Px25L	M8x1.25Px6 DEEP
PO 30X30	A 22	3.0	M8x1.25PX21L	M8x1.25Px6 DEEP
PO 35x22	A 64	3.0	3/8"BSWx38L	3/8"BSWx6 DEEP
PO 35x25	A 16	1.5	3/8"BSWx38L	3/8"BSWx6 DEEP
	B 21	1.5		
	C 40	1.5		
	D 65	1.5		
PO 38x25	A 70	4.0	M8x1.25Px17L	M8x1.25PX6 DEEP
	B 110	4.0		
	C 175	4.0		
PO 38x38	A 50	6.0	M8x1.25Px17L	M8x1.25Px10 DEEP
	B 67	6.0		
	C 85	6.0		
PO40x28	B 146	4.5	M10x1.5Px25L	M10x1.5Px6 DEEP
PO40x30	B 60	5.0	M8x1.25Px25L	M8x1.25Px6 DEEP
PO40x40	A 43	6.0	M10x1.5Px38L	M10x1.5Px10 DEEP
	B 59	6.0		
	C 82	6.0		

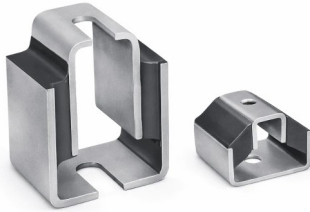
SIZE/PART No. (DXT) (mm)	MAX COMPRESSIVE LOAD (kg)	STATIC DEFL (mm)	THREAD SIZE	
			BOLT	NUT
PO50x40	A 65	5.0	M10x1.5Px22L	M10x1.5Px12 DEEP
	B 110	5.0		
	C 150	5.0		
PO50x45	B 106	7.0	M10x1.5Px25L	M10x1.5Px12 DEEP
PO50x50	A 76	7.0	M10x1.5Px22L	M10x1.5Px12 DEEP
	B 100	7.0		
	C 120	7.0		
PO55x38	A 58	3.0	3/8" BSWX34L	3/8" BSWx10 DEEP
	B 84	3.0		
	C 117	3.0		
PO60X45	A 214	8.0	M10X1.5PX19L	M10X1.5PX10 DEEP
	B 311	8.0		
	C 453	8.0		
PO60X50	A 110	6.5	M12X1.75PX27L	M12X1.75PX15 DEEP
	B 145	6.5		
	C 185	6.5		
PO60X60	A 110	8.0	M12X1.75PX27L	M12X1.75PX15 DEEP
	B 150	8.0		
	C 200	8.0		
PO63X36	A 115	5.0	1/2"BSWX33L	1/2"BSWX10 DEEP
PO75X55	A 158	6.0	M12X1.75PX37L	M12X1.75PX15 DEEP
	B 180	6.0		
	C 290	6.0		
PO80X60	A 300	8.0	M12X1.75PX30L	M12X1.75PX20 DEEP
	B 400	8.0		
	C 520	8.0		
PO80X75	A 205	10	M12X1.75PX30L	M12X1.75PX20 DEEP
	B 310	10		
	C 420	10		
PO100X55	A 320	6.0	M16X2PX43L	M16X2PX20 DEEP
PO100X75	A 280	10	M12X1.75PX30L	M12X1.75PX20 DEEP
	B 390	10		
	C 520	10		
PO100X90	A 285	12	M12X1.75PX30L	M12X1.75PX20 DEEP
	B 400	12		
	C 540	12		
PO115X100	A 380	10	M14X2PX35L	M14X2PX35 DEEP
	B 540	10		
	C 720	10		

METHOD OF ORDERING

P O
3 8
2 5
A
2
 D T STIFFNESS TYPE

05. Double U Shear Mounts

Heavy Duty Rubber-in-Shear Isolators



Double U shear mounts use rubber in shear mode to provide higher deflection and strong vibration isolation. Their configuration supports heavy machinery where low-frequency vibration and structural noise must be controlled.

Category	Shear Mountings
Load Class	Heavy industrial equipment with low-frequency vibration
Tags	Blowers, Fans, Compressors, Conveyors, Textile Machinery

Key Features

- Rubber-in-shear design for high deflection
- Double U profile for enhanced flexibility
- Heavy-duty housing and mounting plates
- Designed for continuous industrial operation

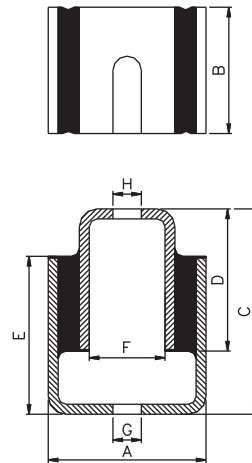
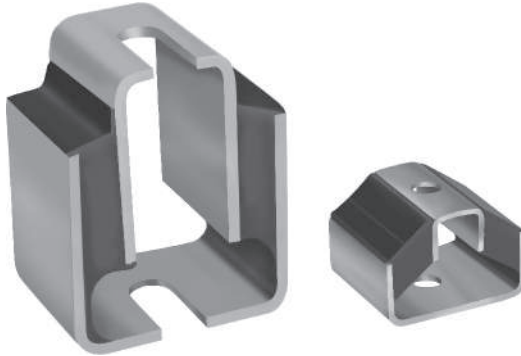
Typical Applications

- Large industrial compressors and refrigeration equipment
- Fans, blowers, and axial fans
- Process equipment and industrial machinery
- Material handling, conveyors, and textile machinery

DOUBLE U SHEAR MOUNTS

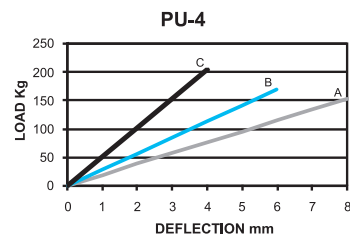
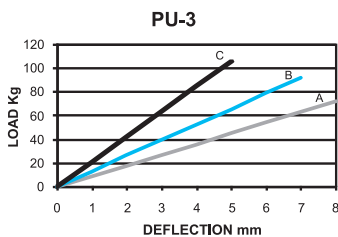
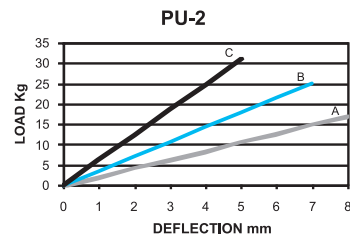
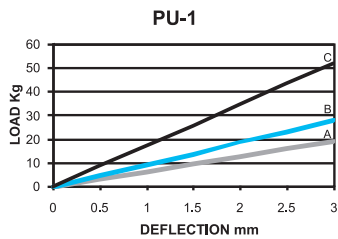


Moulding Innovation into Global Bonds



PART NO	DIMENSIONS (mm)								LOAD (Kg)	DEFLECTION (mm)
	A	B	C	D	E	F	G	H		
PU - 1A	60	50	42	19	30	17	Ø 10 Holes	Ø 10 Holes	19	3
PU - 1B	60	50	42	19	30	17	Ø 10 Holes	Ø 10 Holes	28	3
PU - 1C	60	50	42	19	30	17	Ø 10 Holes	Ø 10 Holes	52	3
PU - 2A	70	25	62	37	43	25	10 Slot	10 Slot	17	8
PU - 2B	70	25	62	37	43	25	10 Slot	10 Slot	25	7
PU - 2C	70	25	62	37	43	25	10 Slot	10 Slot	28	4.5
PU - 3A	80	50	78	50	55	30	13 Slot	13 Slot	72	8
PU - 3B	80	50	78	50	55	30	13 Slot	13 Slot	92	7
PU - 3C	80	50	78	50	55	30	13 Slot	13 Slot	95	4.5
PU - 4A	86	64	108	76	82	38	16 Slot	16 Slot	152	8
PU - 4B	86	64	108	76	82	38	16 Slot	16 Slot	170	6
PU - 4C	86	64	108	76	82	38	16 Slot	16 Slot	205	4

Double 'U' shear mounts feature a soft, vertical spring rate. These mounts are capable of dampening shock and vibrations in the vertical as well as lateral direction. The design incorporates built-in protection against metal-to-metal bottoming.



06. Dual Compression Mounts

Enhanced Rubber Vibration Isolators



Dual compression mounts use two rubber elements working in compression to improve vibration damping, stability, and load distribution. They are suitable for machinery where stable mounting and reduced floor transmission are both important.

Category	Compression Mountings
Load Class	Moderate to heavy equipment requiring stable support
Tags	Pumps, Fans, Compressors, Engine Mounts, Vehicle Chassis

Key Features

- Dual rubber element construction
- Stable mounting with even load distribution
- Rugged steel housing with protective finish
- Good damping performance for rotating equipment

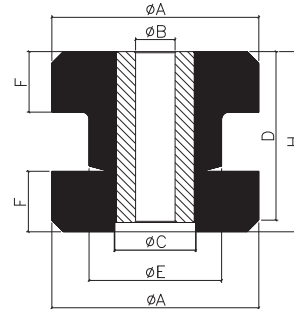
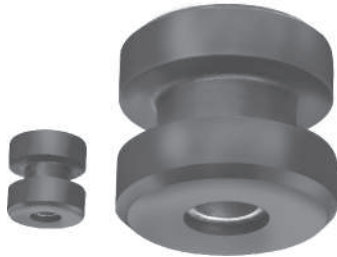
Typical Applications

- Centrifugal pumps, gear pumps, and pump skids
- Industrial fans and blowers
- Small to medium compressors and electric motors
- Radiators, engine mounts, packaging machines, and vehicle chassis

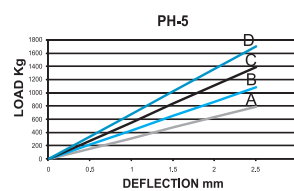
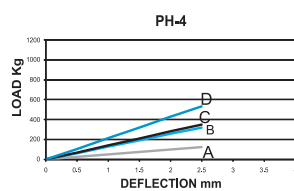
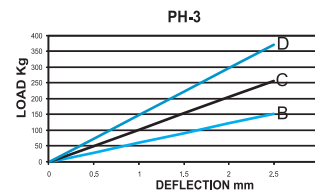
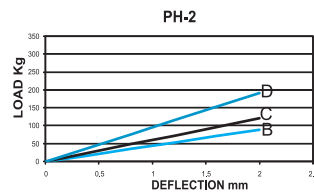
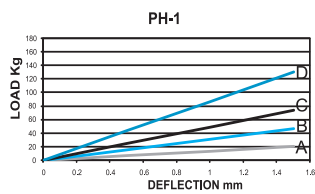
DUAL COMPRESSION MOUNTS PH



Moulding Innovation into Global Bonds



PART NO		AXIAL LOAD (Kg)	DEFL. (mm)	DIMENSIONS (mm)						
				ØA	ØB	ØC	D	ØE	F	H
PH-1	A	30	1.3	33.3	10.3	15	31.8	20.1	12.3	34
PH-1	B	41	1.3	33.3	10.3	15	31.8	20.1	12.3	34
PH-1	C	64	1.3	33.3	10.3	13	31.8	20.1	12.3	34
PH-1	D	113	1.3	33.3	10.3	15	31.8	20.1	12.3	34
PH-2	B	80	1.8	47.8	13.5	19	49.3	32.5	20.4	49.5
PH-2	C	109	1.8	47.8	13.5	19	49.3	32.5	20.4	49.5
PH-2	D	172	1.8	47.8	13.5	19	49.3	32.5	20.4	49.5
PH-3	B	135	2.2	64.8	16.7	24.6	61.7	40.1	22.9	63.8
PH-3	C	181	2.2	64.8	16.7	24.6	61.7	40.1	22.9	63.8
PH-3	D	226	2.2	64.8	16.7	24.6	61.7	40.1	22.9	63.8
PH-3	E	328	2.2	64.8	16.7	24.6	61.7	40.1	22.9	63.8
PH-4	A	122	2.5	89	23.8	35	73.4	57	26	77.5
PH-4	B	321	2.5	89	23.8	35	73.4	57	26	77.5
PH-4	C	350	2.5	89	23.8	35	73.4	57	26	77.5
PH-4	D	531	2.5	89	23.8	35	73.4	57	26	77.5
PH-5	A	725	2.3	124	27	37.8	85.9	64.8	31.8	85.9
PH-5	B	1000	2.3	124	27	37.8	85.9	64.8	31.8	85.9
PH-5	C	1280	2.3	124	27	37.8	85.9	64.8	31.8	85.9
PH-5	D	1565	2.3	124	27	37.8	85.9	64.8	31.8	85.9



07. Generator Rubber Mountings (PGS)

GenSafe Vibration Isolators



PGS generator mountings are engineered for diesel generator sets and standby power packages. They provide vibration isolation while handling generator-room conditions such as oil, fuel, temperature variation, and continuous operation.

Category	Generator Mountings
Load Class	Diesel generator sets and standby power systems
Tags	DG Sets, Gensets, Data Centers, Telecom, Marine

Key Features

- Designed specifically for DG sets and generators
- Oil and fuel resistant rubber compounds
- High load capacity with corrosion-resistant finish
- Available for a broad range of generator capacities

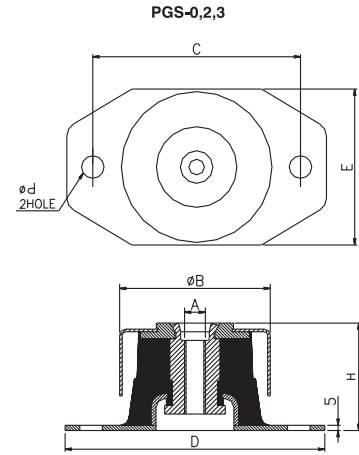
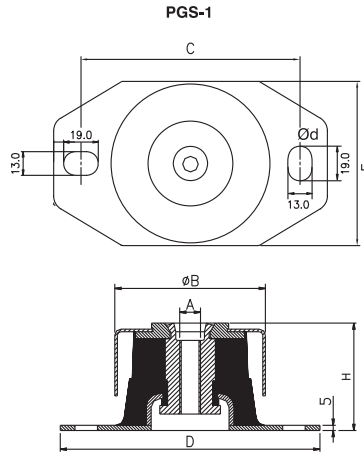
Typical Applications

- Diesel generator sets for standby and prime power
- Gas generators, CNG gensets, and mobile generator trailers
- Hospitals, data centers, telecom towers, and industrial backup power
- Marine generators, pumps, and compressors

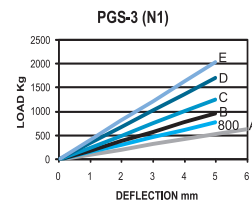
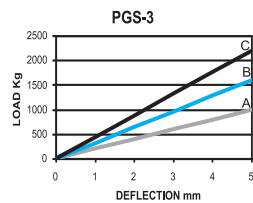
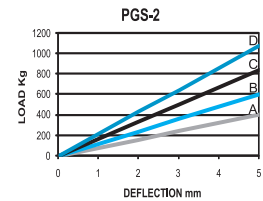
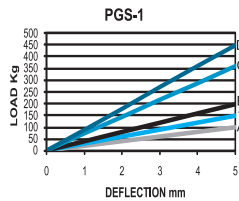
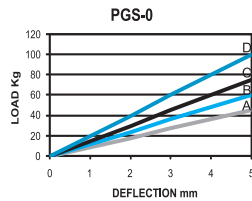
GEN-SAFE MOUNT - PGS



Moulding Innovation into Global Bonds



PART NO	COLOUR CODE	TYPE	LOAD (Kg)	DEFL. (mm)	DIMENSIONS (mm)						
					A	B	C	D	E	H	Ød
PGS - 0	BLUE	A	45	5.0	M10	54.5	76	94	70	50	10.2
PGS - 0	WHITE	B	60	5.0	M10	54.5	76	94	70	50	10.2
PGS - 0	GREEN	C	75	5.0	M10	54.5	76	94	70	50	10.2
PGS - 0	YELLOW	D	100	5.0	M10	54.5	76	94	70	50	10.2
PGS - 1	BLUE	A	100	5.0	M12 /M16	77	120	150	90	62	13x19
PGS - 1	GRAY	(150)	150	5.0	M12 /M16	77	120	150	90	62	13x19
PGS - 1	WHITE	B	200	5.0	M12 /M16	77	120	150	90	62	13x19
PGS - 1	GREEN	C	360	5.0	M12 /M16	77	120	150	90	62	13x19
PGS - 1	YELLOW	D	450	5.0	M12 /M16	77	120	150	90	62	13x19
PGS - 2	BLUE	A	400	5.0	M16	98	180	230	110	62	13.0
PGS - 2	WHITE	B	600	5.0	M16	98	180	230	110	62	13.0
PGS - 2	GREEN	C	840	5.0	M16	98	180	230	110	62	13.0
PGS - 2	YELLOW	D	1080	5.0	M16	98	180	230	110	62	13.0
PGS - 3(N1)	BLUE	A	600	5.7	M20	138	180	230	150	62	13.0
PGS - 3(N1)	GRAY	(800)	800	5.2	M20	138	180	230	150	62	13.0
PGS - 3(N1)	WHITE	B	1000	5.2	M20	138	180	230	150	62	13.0
PGS - 3(N1)	GREEN	C	1250	5.0	M20	138	180	230	150	62	13.0
PGS - 3(N1)	YELLOW	D	1600	4.7	M20	138	180	230	150	62	13.0
PGS - 3(N1)	RED	E	1800	4.4	M20	138	180	230	150	62	13.0
PGS - 3	BLUE	A	1000	5.0	M20	138	180	230	150	62	13.0
PGS - 3	WHITE	B	1600	5.0	M20	138	180	230	150	62	13.0
PGS - 3	GREEN	C	2200	5.0	M20	138	180	230	150	62	13.0



08. Machine Mounts Type PSN

Level Mounts and Shock Absorbing Isolators



Machine Mounts Type PSN are leveling mounts for machine installation without ground anchoring. They support fast setup, stable positioning, and effective absorption of external shocks and high-frequency vibration.

Category	Machine / Leveling Mountings
Load Class	Production machinery and workshop installations
Tags	Machine Tools, Leveling, CNC, Shock Absorption, Shop Floor

Key Features

- No foundation or grouting required
- Built-in leveling adjustment for precise machine alignment
- Quick installation and easy relocation
- Improves machine stability and reduces transmitted vibration

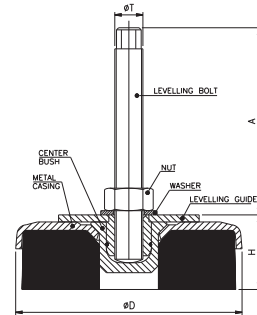
Typical Applications

- Machine tools, CNC machines, and production equipment
- Packaging and process machinery
- Flexible workshop layouts and machinery relocation
- Installations requiring leveling plus vibration control

MACHINE MOUNT - PSN

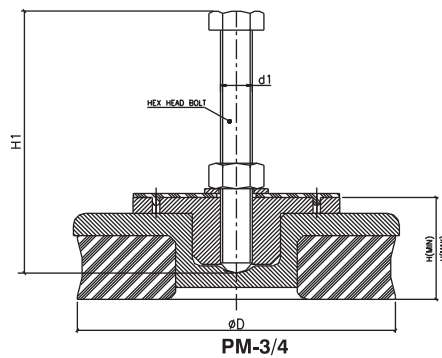
POLYBOND

Moulding Innovation into Global Bonds

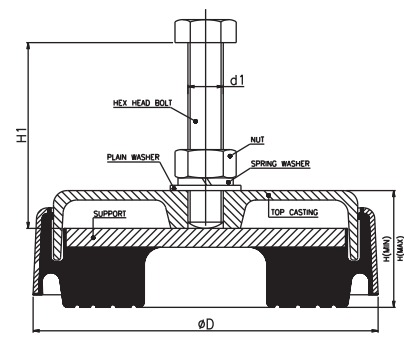


PART NO	PSN - 1	PSN - 2	PSN - 3
ØD	80 mm	120 mm	160 mm
H	38-50 mm	46-59 mm	53-68 mm
A	87 mm	79 mm	122 mm
ØT	M12x1.25	M16x1.5	M20x1.5
Optional Load Range	-	M12x1.25	M16x1.5
	50-500 Kg	200-1100 Kg	800-2100 Kg

MACHINE MOUNT - PM



PM-3/4



PM-1000/2500

PART NO	ØD	H		H1	Ød1	MAX. DEFL	LOAD (Kg)	NORMAL LOAD (Kg)
		MIN.	MAX					
PM - 3	160	57	70	250	M20x1.5	3	1000	1000 ± 300
PM - 4	200	64	80	250	M20x1.5	3	2200	2200 ± 300
PM - 1000	133	54	74	160	M16x1.5	2	1000	1000 ± 300
PM - 2500	195	66	86	180	M20x1.5	2	2500	2500 ± 300

09. P Mounts

Rubber Anti-Vibration Mountings



P mounts are rubber anti-vibration mountings used for rotating and reciprocating equipment. Their broad load range makes them useful across common plant-room and industrial machinery installations.

Category	Rubber Mountings
Load Class	15 kg to 1800 kg per mount, subject to model selection
Tags	Fans, Pumps, Generators, Blowers, 15-1800 kg

Key Features

- General-purpose rubber anti-vibration mounting
- Broad load-carrying capacity range
- Suitable for rotating equipment and mounted assemblies
- Simple installation for common industrial applications

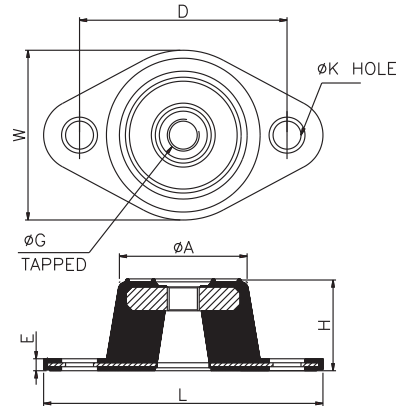
Typical Applications

- Fans and blowers
- Pumps and pump assemblies
- Generators and power equipment
- Industrial machinery requiring rubber isolation

P MOUNTS



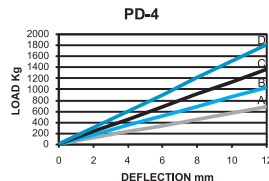
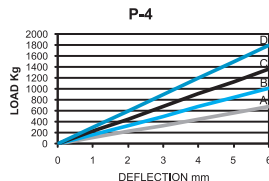
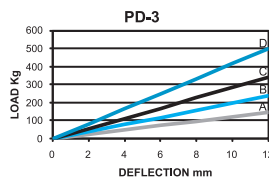
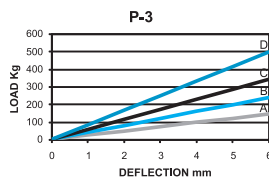
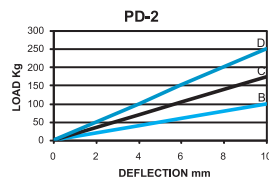
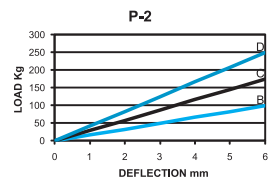
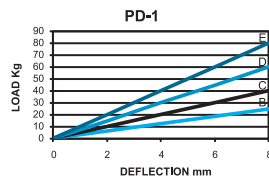
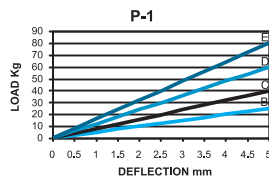
Moulding Innovation into Global Bonds



For effective isolation of noise and vibration from rotating equipment with speeds of 1000 rpm and above. Typical used to isolate fans, pumps, generators, air-conditioning units and general machinery.

TYPE	DIMENSIONS (mm)							
	H	L	W	D	ØA	ØG	ØK	E
P - 1	28	80	45	60	32	M8	8.5	5
P - 2	32	98	60	76	45	M10	8.5	6
P - 3	44	140	85	104	64	M12	14	6
P - 4	45	165	110	127	100	M12	14	6
PD - 1	35	80	45	60	32	M8	8.5	5
PD - 2	44	98	60	76	45	M10	8.5	6
PD - 3	72	140	85	104	64	M12	14	6
PD - 4	75	165	110	127	100	M12	14	6

TYPE	COLOUR CODE	LOAD (kg)	DEFL. (mm)
P - 1B	WHITE	25	5
P - 1C	GREEN	40	5
P - 1D	YELLOW	60	5
P - 1E	RED	80	5
PD - 1B	WHITE	25	8
PD - 1C	GREEN	40	8
PD - 1D	YELLOW	60	8
PD - 1E	RED	80	8
P - 2B	WHITE	100	6
P - 2C	GREEN	175	6
P - 2D	YELLOW	250	6
PD - 2B	WHITE	100	10
PD - 2C	GREEN	175	10
PD - 2D	YELLOW	250	10
P - 3B	WHITE	145	6
P - 3C	GREEN	240	6
P - 3D	YELLOW	340	6
P - 3E	RED	500	6
PD - 3B	WHITE	145	12
PD - 3C	GREEN	240	12
PD - 3D	YELLOW	340	12
PD - 3E	RED	500	12
P - 4B	WHITE	680	6
P - 4C	GREEN	1020	6
P - 4D	YELLOW	1360	6
P - 4E	RED	1800	6
PD - 4B	WHITE	680	12
PD - 4C	GREEN	1020	12
PD - 4D	YELLOW	1360	12
PD - 4E	RED	1800	12



10. Pam Mounts

Fail-Safe Rubber Mountings



Pam mounts use a fail-safe construction and rubber profile designed to work in compression and shear simultaneously. Zinc-plated metal components provide improved corrosion resistance for industrial service.

Category	Rubber Mountings
Load Class	Industrial and marine equipment
Tags	Compressors, DG Sets, Industrial Fans, Marine Gensets

Key Features

- Integral fail-safe design
- Rubber profile works in compression and shear
- Zinc-plated metal components for corrosion resistance
- Suited to industrial and marine machinery

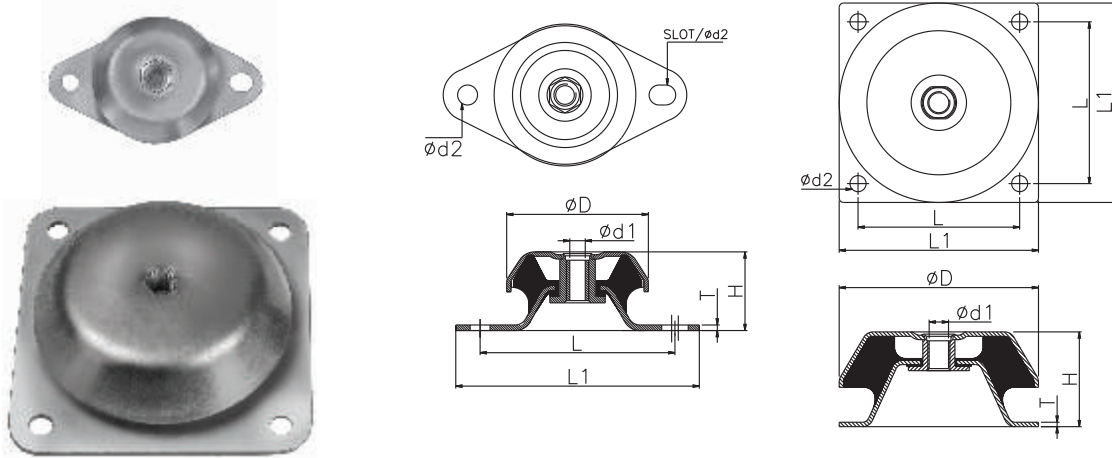
Typical Applications

- Compressors and diesel engines
- AC units and HVAC equipment
- Industrial and marine generator sets
- Industrial fans and generators

MACHINE FEET - PAM

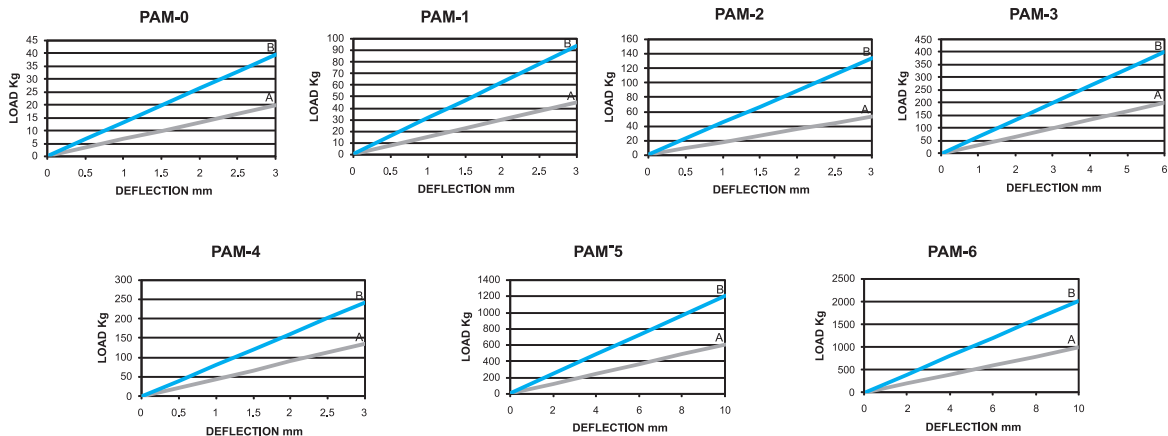


Moulding Innovation into Global Bonds



PART NO	DIMENSIONS (mm)								MAX. LOAD (Kg)	DEFLECTION (mm)
	L1	L	H	Ød1	Ød2	Ød2	T	ØD		
PAM - 0A	110	88	35.5	M10x1.5	Ø 9	Slot 12x9	2.5	64	20	3.0
PAM - 0B	110	88	35.5	M10x1.5	Ø 9	Slot 12x9	2.5	64	40	3.0
PAM - 1A	120	100	35.5	M12x1.75	2 X Slot 11x15	2 X Slot 11x15	2.5	62.8	45	3.0
PAM - 1B	120	100	35.5	M12x1.75	2 X Slot 11x15	2 X Slot 11x15	2.5	62.8	94	3.0
PAM - 2A	135	110	35.5	M12x1.75	Ø 11	Slot 15x11	2	84	54	3.0
PAM - 2B	135	110	35.5	M12x1.75	Ø 11	Slot 15x11	2	84	134	3.0
PAM - 3A	175	144	42	M16x2	Ø 14	Slot 20x13	3	110	200	6.0
PAM - 3B	175	144	42	M16x2	Ø 14	Slot 20x13	3	110	400	6.0
PAM - 4A	216	182	54	M16x2	2 X Slot 18x14	2 X Slot 18x14	4	155	135	3.0
PAM - 4B	216	182	54	M16x2	2 X Slot 18x14	2 X Slot 18x14	4	155	240	3.0
PAM - 5A	180	146	85.5	M20x2.5	4 X Ø 14.5	4 X Ø 14.5	4	180	600	10.0
PAM - 5B	180	146	85.5	M20x2.5	4 X Ø 14.5	4 X Ø 14.5	4	180	1200	10.0
PAM - 6A	220	180	105.5	M24x3	4 X Ø 17.5	4 X Ø 17.5	4	224	1000	10.0
PAM - 6B	220	180	105.5	M24x3	4 X Ø 17.5	4 X Ø 17.5	4	224	2000	10.0

Polybond MACHINE FEET has integral failsafe design. Rubber profile is used effectively in compression and shear simultaneously. PAM series has a soft vertical stiffness. Metal part plated for high corrosion resistance. Typical application are Compressors, AC units, Diesel Engine, Industrial & Marine Genset, Industrial Fans.



11. Sandwich Mounts

Compression and Shear Isolation Mountings



Sandwich mounts support equipment that must be isolated from intermittent or continuous vibration. They can be loaded in compression, shear, or a combination of both, making them useful for robust and sensitive installations.

Category	Rubber Mountings
Load Class	Heavy or sensitive equipment
Tags	DG Sets, Forklifts, Transformers, Vibratory Tables, Grinding

Key Features

- Supports heavy as well as sensitive equipment
- Can be loaded in compression, shear, or combined modes
- Useful for continuous or intermittent vibration control
- Simple robust construction for industrial use

Typical Applications

- Ultrasonic chambers and vibratory tables
- Transformers and hoppers
- Grinding machines and production equipment
- Forklifts and DG set related applications

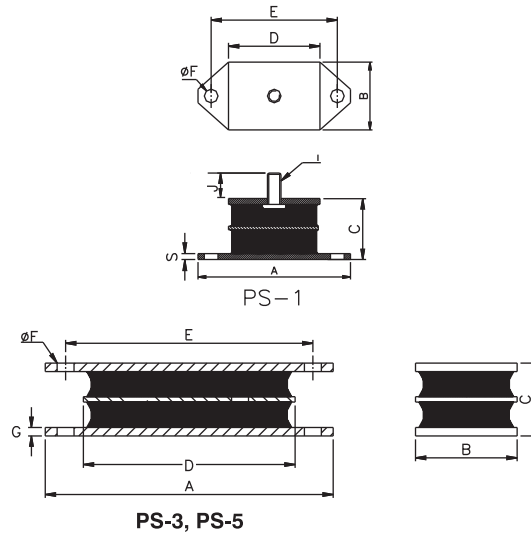
Information Required for Selection

- Total equipment weight and expected load on each mounting point
- Number of mounting locations and center-of-gravity position
- Operating rpm or dominant vibration frequency
- Mounting surface condition, base frame stiffness, and available footprint
- Exposure to oil, fuel, chemicals, outdoor weather, or high temperature
- Need for leveling, fail-safe behavior, or easy relocation

SANDWICH MOUNT



Moulding Innovation into Global Bonds



PART NO	DIMENSIONS (mm)										LOAD (Kg)	DEFLECTION (mm)
	A	B	C	D	E	ØF	S	I	J			
PS - 1A	90	40	36	54	74.5	6.75	3.5	M8	15		95	2.8
PS - 1B	90	40	36	54	74.5	6.75	3.5	M8	15		135	2.8
PS - 1C	90	40	36	54	74.5	6.75	3.5	M8	15		200	2.8
PS - 1D	90	40	36	54	74.5	6.75	3.5	M8	15		310	2.8
PS - 1E	90	40	36	54	74.5	6.75	3.5	M8	15		350	2.4

PART NO	DIMENSIONS (mm)								LOAD (Kg)	DEFLECTION (mm)
	A	B	C	D	E	ØF	G			
PS - 3A	110	60	43	65	89	10.3	5	140	3.0	
PS - 3B	110	60	43	65	89	10.3	5	240	3.0	
PS - 3C	110	60	43	65	89	10.3	5	375	3.0	
PS - 5A	170	60	43	125	146	10.3	5	400	3.0	
PS - 5B	170	60	43	125	146	10.3	5	610	3.0	
PS - 5C	170	60	43	125	146	10.3	5	850	2.8	
PS - 5D	170	60	43	125	146	10.3	5	1000	2.2	
PS - 5E	170	60	43	125	146	10.3	5	1900	2.0	

SANDWICH mount are designed to support heavy or sensitive equipment and isolate intermittent or continuous vibrations. These mounts can be loaded by compression, by shear or by combination of the two. The easy-to install SANDWICH mount result in longer service life, smoother operation and reduced maintenance.

