

01. Combi Mounts

Rubber Anti-Vibration Mountings



Combi mounts are rubber-metal bonded vibration isolators designed to work in both compression and shear. Their compact construction helps reduce structure-borne vibration while keeping installation simple for general machinery layouts.

Category	Rubber Mountings / Multi-Axis Isolators
Load Class	Light to medium industrial equipment
Tags	Compressors, Pumps, Generators, Industrial Fans, Machine Tools

Key Features

- Rubber-metal bonded construction for durable service
- Dual-mode isolation in compression and shear
- Compact footprint for limited installation space
- Suitable for multiple load ratings and equipment sizes

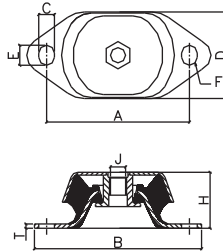
Typical Applications

- Air compressors and screw compressors
- Centrifugal, gear, and lobe pumps
- Small generators and motor-generator sets
- Industrial fans, blowers, machine tools, and textile machinery

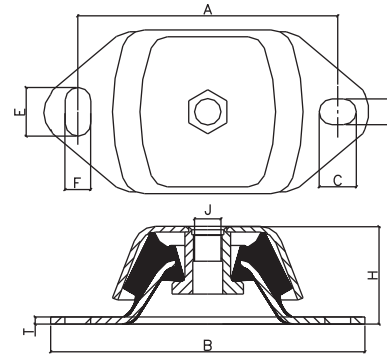
COMBI MOUNTS - PC



Moulding Innovation into Global Bonds



PC - 100



PC - 140 / PC - 182

PART NO	DIMENSIONS (mm)										
	A	B	C	D	E	F	G	H	I	J	T
PC - 100	100	120	11	60	14	-	5.5	40	-	M12	3
PC - 140	140	183	20	76	30	13	6.5	50	13	M16	4
PC - 182	182	230	26	112	34	18	9.0	70	18	M20	5

PART NO.		LOAD (Kg)	DEFLECTION (mm)
PC - 100	A	50	4
PC - 100	B	70	4
PC - 100	C	100	4
PC - 140	A	135	5
PC - 140	B	200	5
PC - 140	C	300	5
PC - 182	A	355	5
PC - 182	B	530	5
PC - 182	C	800	5
PC - 182	D	1000	5

POLYBOND COMBIMOUNTS PC are suitable for a wide variety of equipment. The COMBIMOUNT PC, is low in profile, compact in size and Ideal for mobile application due to added "Fail safe" feature. These mounts can be supplied with a height adjustment feature if required.

