

### 03. Cushyfoot Mountings

#### Heavy Duty Vibration Isolators



CUSHYFOOT MOUNTING

Cushyfoot mountings are heavy-duty rubber isolators for generator sets, pumps, compressors, chillers, cooling towers, and industrial equipment. The fail-safe construction helps protect equipment and civil structures in demanding installations.

|                   |  |
|-------------------|--|
| <b>Category</b>   | Heavy Duty Rubber Mountings                      |
| <b>Load Class</b> | Moderate to heavy rotating equipment             |
| <b>Tags</b>       | DG Sets, Chillers, AHU, Pumps, Compressors, HVAC |

#### Key Features

- Heavy-duty rubber-in-shear construction
- Fail-safe design with robust metal housing
- High load capacity for larger equipment
- Suitable for indoor, outdoor, HVAC, and MEP installations

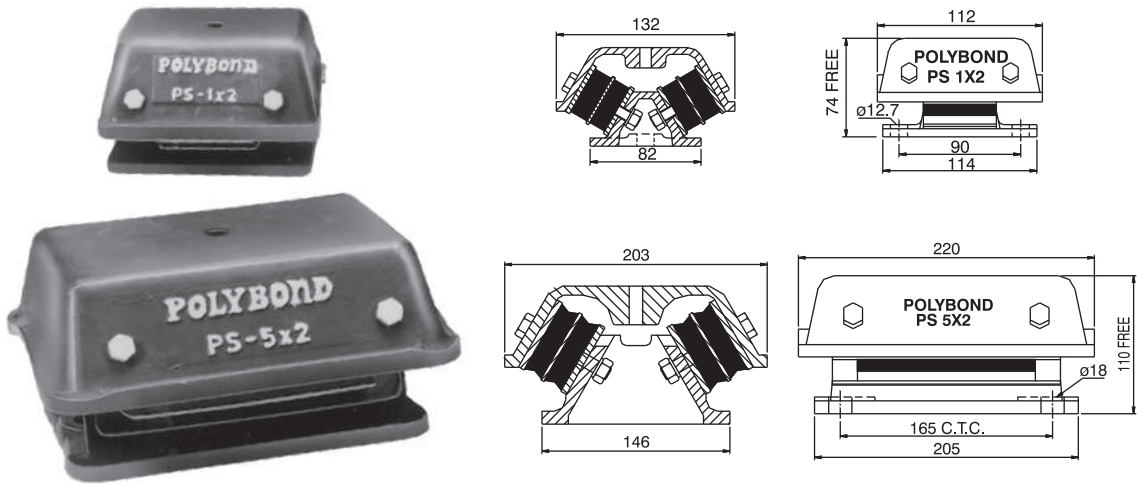
#### Typical Applications

- Diesel generator sets and motor-generator packages
- Large compressors and refrigeration compressors
- Pump sets, chillers, AHUs, and cooling towers
- Marine generators and process machinery

# COMBI MOUNT - PS



Moulding Innovation into Global Bonds



| PART NO.    | COLOUR CODE | LOAD (Kg) | DEFLECTION (mm) | TOP FIXING HOLE |       |
|-------------|-------------|-----------|-----------------|-----------------|-------|
|             |             |           |                 | PLAIN           | TAPED |
| PS - 1 x 2A | BLUE        | 77        | 5.6             | 10              | M12   |
| PS - 1 x 2B | WHITE       | 118       | 5.8             | 10              | M12   |
| PS - 1 x 2C | GREEN       | 153       | 6.1             | 10              | M12   |
| PS - 1 x 2D | YELLOW      | 235       | 5.8             | 10              | M12   |
| PS - 1 x 2E | RED         | 317       | 5.3             | 10              | M12   |
| PS - 5 x 2A | BLUE        | 272       | 6.3             | 13              | M16   |
| PS - 5 x 2B | WHITE       | 544       | 5.6             | 13              | M16   |
| PS - 5 x 2C | GREEN       | 850       | 5.6             | 13              | M16   |
| PS - 5 x 2D | YELLOW      | 1040      | 5.6             | 13              | M16   |
| PS - 5 x 2E | RED         | 1580      | 5.6             | 13              | M16   |

Polybond COMBIMOUNTS PS consist of two PS type sandwich mounts housed together in specially designed iron castings for protection against oil and mechanical damage. These are special mountings with natural frequencies down to 5.5 Hz and very good lateral stability. For low disturbing frequencies, high deflection can be achieved by screwing two COMBIMOUNTS PS together along the flange. When they cannot be bolted, these mounts can be located by rubber friction pads.

