

07. Generator Rubber Mountings (PGS)

GenSafe Vibration Isolators



PGS generator mountings are engineered for diesel generator sets and standby power packages. They provide vibration isolation while handling generator-room conditions such as oil, fuel, temperature variation, and continuous operation.

Category	Generator Mountings
Load Class	Diesel generator sets and standby power systems
Tags	DG Sets, Gensets, Data Centers, Telecom, Marine

Key Features

- Designed specifically for DG sets and generators
- Oil and fuel resistant rubber compounds
- High load capacity with corrosion-resistant finish
- Available for a broad range of generator capacities

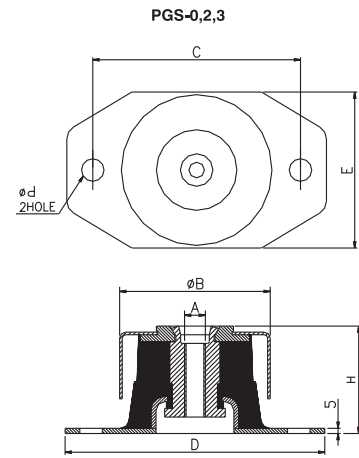
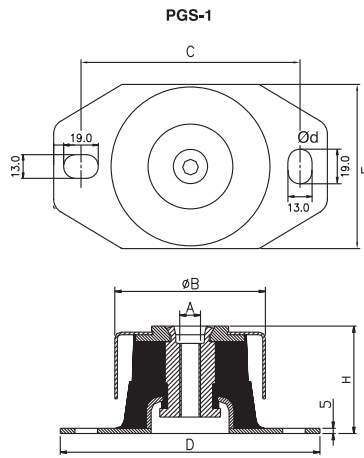
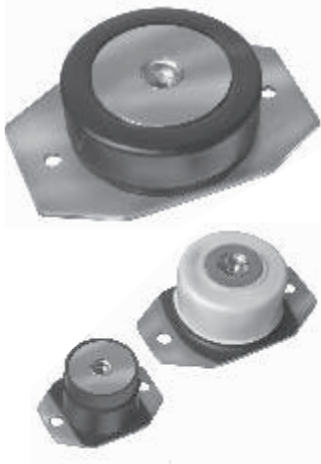
Typical Applications

- Diesel generator sets for standby and prime power
- Gas generators, CNG gensets, and mobile generator trailers
- Hospitals, data centers, telecom towers, and industrial backup power
- Marine generators, pumps, and compressors

GEN-SAFE MOUNT - PGS



Moulding Innovation into Global Bonds



PART NO	COLOUR CODE	TYPE	LOAD (Kg)	DEFL. (mm)	DIMENSIONS (mm)						
					A	B	C	D	E	H	Ød
PGS - 0	BLUE	A	45	5.0	M10	54.5	76	94	70	50	10.2
PGS - 0	WHITE	B	60	5.0	M10	54.5	76	94	70	50	10.2
PGS - 0	GREEN	C	75	5.0	M10	54.5	76	94	70	50	10.2
PGS - 0	YELLOW	D	100	5.0	M10	54.5	76	94	70	50	10.2
PGS - 1	BLUE	A	100	5.0	M12 /M16	77	120	150	90	62	13x19
PGS - 1	GRAY	(150)	150	5.0	M12 /M16	77	120	150	90	62	13x19
PGS - 1	WHITE	B	200	5.0	M12 /M16	77	120	150	90	62	13x19
PGS - 1	GREEN	C	360	5.0	M12 /M16	77	120	150	90	62	13x19
PGS - 1	YELLOW	D	450	5.0	M12 /M16	77	120	150	90	62	13x19
PGS - 2	BLUE	A	400	5.0	M16	98	180	230	110	62	13.0
PGS - 2	WHITE	B	600	5.0	M16	98	180	230	110	62	13.0
PGS - 2	GREEN	C	840	5.0	M16	98	180	230	110	62	13.0
PGS - 2	YELLOW	D	1080	5.0	M16	98	180	230	110	62	13.0
PGS - 3(N1)	BLUE	A	600	5.7	M20	138	180	230	150	62	13.0
PGS - 3(N1)	GRAY	(800)	800	5.2	M20	138	180	230	150	62	13.0
PGS - 3(N1)	WHITE	B	1000	5.2	M20	138	180	230	150	62	13.0
PGS - 3(N1)	GREEN	C	1250	5.0	M20	138	180	230	150	62	13.0
PGS - 3(N1)	YELLOW	D	1600	4.7	M20	138	180	230	150	62	13.0
PGS - 3(N1)	RED	E	1800	4.4	M20	138	180	230	150	62	13.0
PGS - 3	BLUE	A	1000	5.0	M20	138	180	230	150	62	13.0
PGS - 3	WHITE	B	1600	5.0	M20	138	180	230	150	62	13.0
PGS - 3	GREEN	C	2200	5.0	M20	138	180	230	150	62	13.0

