

09. P Mounts

Rubber Anti-Vibration Mountings



P mounts are rubber anti-vibration mountings used for rotating and reciprocating equipment. Their broad load range makes them useful across common plant-room and industrial machinery installations.

| | |
|-------------------|--|
| Category | Rubber Mountings |
| Load Class | 15 kg to 1800 kg per mount, subject to model selection |
| Tags | Fans, Pumps, Generators, Blowers, 15-1800 kg |

Key Features

- General-purpose rubber anti-vibration mounting
- Broad load-carrying capacity range
- Suitable for rotating equipment and mounted assemblies
- Simple installation for common industrial applications

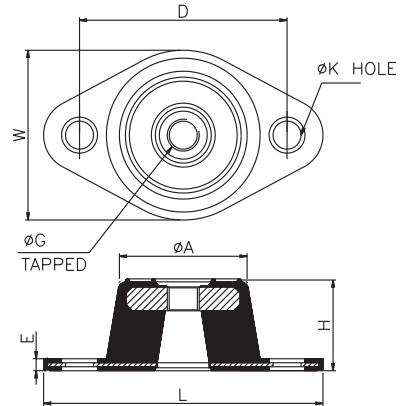
Typical Applications

- Fans and blowers
- Pumps and pump assemblies
- Generators and power equipment
- Industrial machinery requiring rubber isolation

P MOUNTS



Moulding Innovation into Global Bonds



For effective isolation of noise and vibration from rotating equipment with speeds of 1000 rpm and above. Typical used to isolate fans, pumps, generators, air-conditioning units and general machinery.

| TYPE | DIMENSIONS (mm) | | | | | | | |
|--------|-----------------|-----|-----|-----|-----|-----|-----|---|
| | H | L | W | D | ØA | ØG | ØK | E |
| P - 1 | 28 | 80 | 45 | 60 | 32 | M8 | 8.5 | 5 |
| P - 2 | 32 | 98 | 60 | 76 | 45 | M10 | 8.5 | 6 |
| P - 3 | 44 | 140 | 85 | 104 | 64 | M12 | 14 | 6 |
| P - 4 | 45 | 165 | 110 | 127 | 100 | M12 | 14 | 6 |
| PD - 1 | 35 | 80 | 45 | 60 | 32 | M8 | 8.5 | 5 |
| PD - 2 | 44 | 98 | 60 | 76 | 45 | M10 | 8.5 | 6 |
| PD - 3 | 72 | 140 | 85 | 104 | 64 | M12 | 14 | 6 |
| PD - 4 | 75 | 165 | 110 | 127 | 100 | M12 | 14 | 6 |

| TYPE | COLOUR CODE | LOAD (kg) | DEFL. (mm) |
|---------|-------------|-----------|------------|
| P - 1B | WHITE | 25 | 5 |
| P - 1C | GREEN | 40 | 5 |
| P - 1D | YELLOW | 60 | 5 |
| P - 1E | RED | 80 | 5 |
| PD - 1B | WHITE | 25 | 8 |
| PD - 1C | GREEN | 40 | 8 |
| PD - 1D | YELLOW | 60 | 8 |
| PD - 1E | RED | 80 | 8 |
| P - 2B | WHITE | 100 | 6 |
| P - 2C | GREEN | 175 | 6 |
| P - 2D | YELLOW | 250 | 6 |
| PD - 2B | WHITE | 100 | 10 |
| PD - 2C | GREEN | 175 | 10 |
| PD - 2D | YELLOW | 250 | 10 |
| P - 3B | WHITE | 145 | 6 |
| P - 3C | GREEN | 240 | 6 |
| P - 3D | YELLOW | 340 | 6 |
| P - 3E | RED | 500 | 6 |
| PD - 3B | WHITE | 145 | 12 |
| PD - 3C | GREEN | 240 | 12 |
| PD - 3D | YELLOW | 340 | 12 |
| PD - 3E | RED | 500 | 12 |
| P - 4B | WHITE | 680 | 6 |
| P - 4C | GREEN | 1020 | 6 |
| P - 4D | YELLOW | 1360 | 6 |
| P - 4E | RED | 1800 | 6 |
| PD - 4B | WHITE | 680 | 12 |
| PD - 4C | GREEN | 1020 | 12 |
| PD - 4D | YELLOW | 1360 | 12 |
| PD - 4E | RED | 1800 | 12 |

