

## 11. Sandwich Mounts

### Compression and Shear Isolation Mountings



Sandwich mounts support equipment that must be isolated from intermittent or continuous vibration. They can be loaded in compression, shear, or a combination of both, making them useful for robust and sensitive installations.

<b>Category</b>	Rubber Mountings
<b>Load Class</b>	Heavy or sensitive equipment
<b>Tags</b>	DG Sets, Forklifts, Transformers, Vibratory Tables, Grinding

#### Key Features

- Supports heavy as well as sensitive equipment
- Can be loaded in compression, shear, or combined modes
- Useful for continuous or intermittent vibration control
- Simple robust construction for industrial use

#### Typical Applications

- Ultrasonic chambers and vibratory tables
- Transformers and hoppers
- Grinding machines and production equipment
- Forklifts and DG set related applications

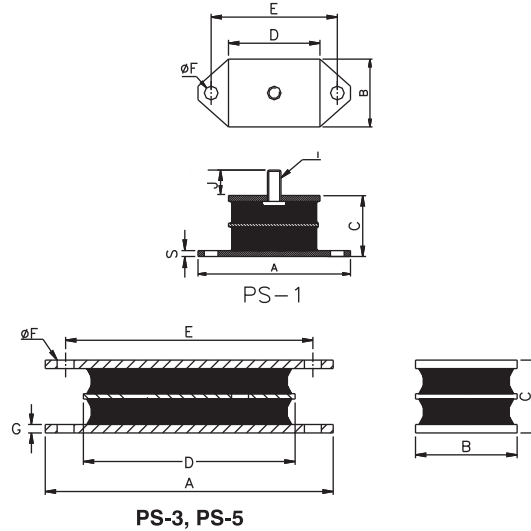
#### Information Required for Selection

- Total equipment weight and expected load on each mounting point
- Number of mounting locations and center-of-gravity position
- Operating rpm or dominant vibration frequency
- Mounting surface condition, base frame stiffness, and available footprint
- Exposure to oil, fuel, chemicals, outdoor weather, or high temperature
- Need for leveling, fail-safe behavior, or easy relocation

# SANDWICH MOUNT



Moulding Innovation into Global Bonds



PART NO	DIMENSIONS (mm)										LOAD (Kg)	DEFLECTION (mm)
	A	B	C	D	E	ØF	S	I	J			
PS - 1A	90	40	36	54	74.5	6.75	3.5	M8	15	95	2.8	
PS - 1B	90	40	36	54	74.5	6.75	3.5	M8	15	135	2.8	
PS - 1C	90	40	36	54	74.5	6.75	3.5	M8	15	200	2.8	
PS - 1D	90	40	36	54	74.5	6.75	3.5	M8	15	310	2.8	
PS - 1E	90	40	36	54	74.5	6.75	3.5	M8	15	350	2.4	

PART NO	DIMENSIONS (mm)								LOAD (Kg)	DEFLECTION (mm)
	A	B	C	D	E	ØF	G			
PS - 3A	110	60	43	65	89	10.3	5	140	3.0	
PS - 3B	110	60	43	65	89	10.3	5	240	3.0	
PS - 3C	110	60	43	65	89	10.3	5	375	3.0	
PS - 5A	170	60	43	125	146	10.3	5	400	3.0	
PS - 5B	170	60	43	125	146	10.3	5	610	3.0	
PS - 5C	170	60	43	125	146	10.3	5	850	2.8	
PS - 5D	170	60	43	125	146	10.3	5	1000	2.2	
PS - 5E	170	60	43	125	146	10.3	5	1900	2.0	

SANDWICH mount are designed to support heavy or sensitive equipment and isolate intermittent or continuous vibrations. These mounts can be loaded by compression, by shear or by combination of the two. The easy-to install SANDWICH mount result in longer service life, smoother operation and reduced maintenance.

